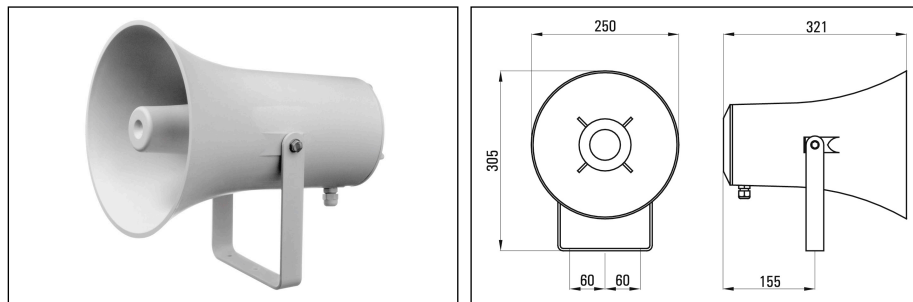


TL 115-2

High-end extremely effective horn speaker, made of plastic, ideal for loudspeaker- and alarm systems indoors and out, e.g. in production spaces, underground car parks, etc school playgrounds ... The TL 115-2 comes with a standard driver. This makes it highly efficient. Assembly is achieved by the U-type bracket included in the delivery. It can also be mounted on a stand using an MB 1/2 optional mast attachment. Cable entry is via an M20 screw connection. A second entry blind plug is also provided.



Technical Data	TL 115-2-8	TL 115-2-T15
Load Rating / Music Power	15/20 W	15 W
Impedance	8 Ohm	
Transformer		15/7.5/3.75 W
SPL 1W/1m	103 dB	103 dB
SPL PNenn/1m	115 dB	115 dB
SPL PNenn/1m/f	123 dB/2 kHz	123 dB/2 kHz
Frequency Range (-3 dB)	370-6500 Hz	370-6500 Hz
Frequency Range (-10 dB)	260-7000 Hz	260-7000 Hz
Transmission Angle 1/2/4/8 kHz (-6 dB)	190/-/130/70 °	190/-/130/70 °
Material	Housing: plastic, u-type bracket: aluminium	Housing: plastic, u-type bracket: aluminium
Net Weight	2.4 kg	2.8 kg
Colors	grey (RAL 7035)	grey (RAL 7035)
Accessories	MB 1/2: mast attachment for mast diameter 70-210 mm	MB 1/2: mast attachment for mast diameter 70-210 mm